

Spanesi S.p.A.

Via Praarie, 56/II

35010 San Giorgio delle Pertiche (PD)

Tel. 049 9333211 - Fax 049 5741295

info@spanesi.it

www.spanesi.com



Alignment and measuring system

VAS 811 017

VAS 811 019



Spanesi, is the innovative partner for the VAS measuring and alignment systems.

Spanesi is the leader in manufacturing of collision repair equipment. In cooperation with Porsche, Spanesi has designed and produced a universal alignment and an electronic measuring system, both of which offer remarkable performance and high repair quality.

With the Porsche's commitment to exacting repair standards, Spanesi's outstanding technical and quality standards have led VAS to partner with Spanesi for diagnostics, repair and inspection programs.



Alignment System

VAS 811 017

RUGGED CONSTRUCTION

The alignment system VAS 811 017 has been designed to stand up to the most intense pulling stresses; this is accomplished through the utilization of the most durable materials available, in order to maintain its performance throughout the years.

FLEXIBILITY

From simple damage to the most complex vehicle reconstruction procedures within the collision repair facility, the VAS 811 017/1 is a multipurpose bench, suitable for small and fast repairs. It is also optimized for complex vehicle repairs requiring exacting repair standards.

360° PULLING COLUMN

Designed to make the structural work easier thanks to the ability to reposition and attach the pulling column to multiple mounting locations on the bench, and automatically locks into each mounting location.

REPOSITIONABLE

Thanks to the 4 removable wheels that can be attached to the ends of the bench, it can be easily relocated to different bays within the collision repair facility.

EASE AND EFFICIENCY

By integrating a lift with a capacity of 5,000 kg and a maximum height of 1.6 metres, as well as with a ramp and platform kit, the loading and unloading of the vehicle can be easily and quickly accomplished.

CUSTOM

2 different lengths - 5 and 6 meters

REPAIRS

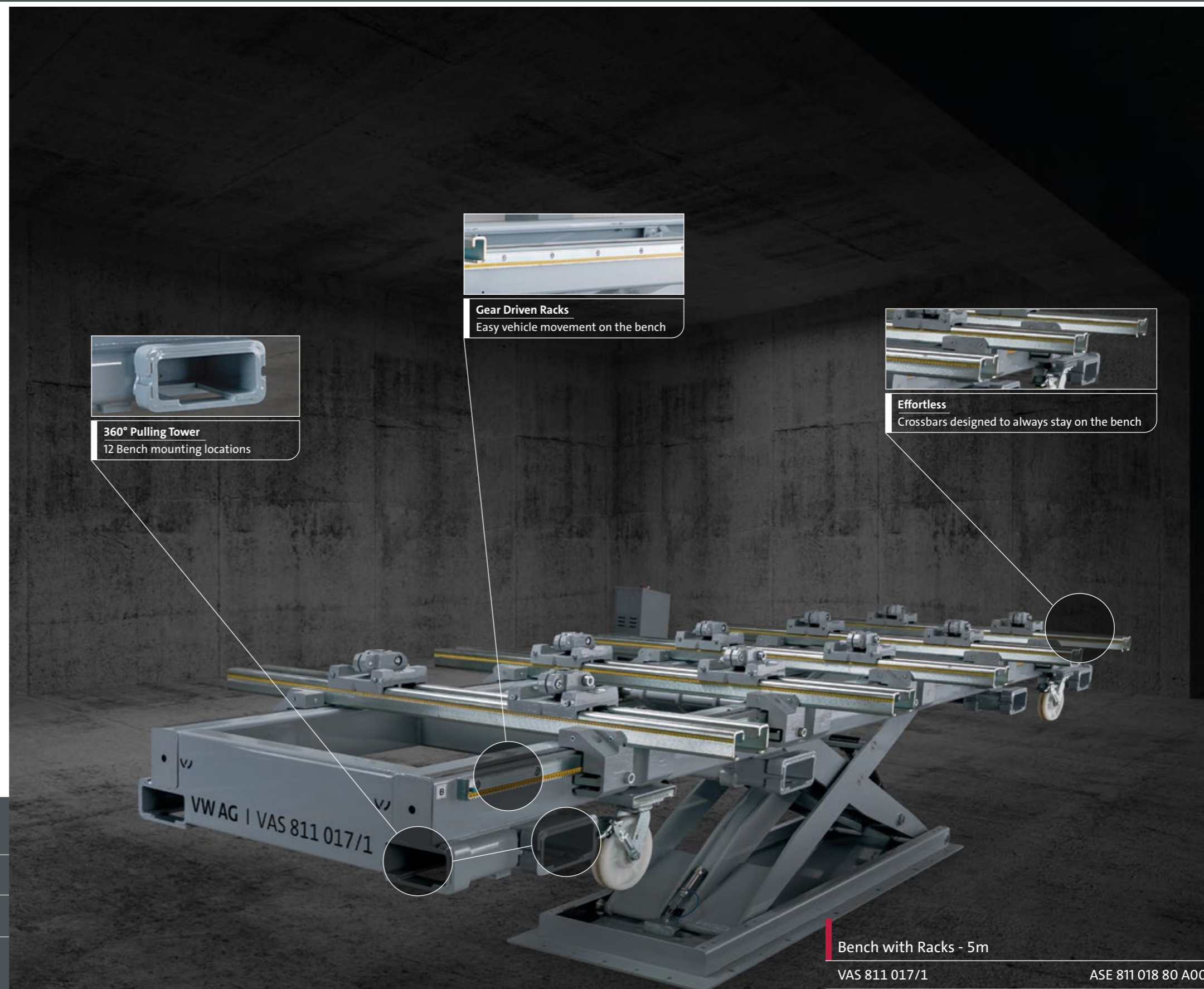
All types of damage: Small, Medium, Large

PULLING COLUMN

Capable of multiple pulling directions

POWERFUL

10 tons of pulling force



Bench with Racks - 5m

VAS 811 017/1

ASE 811 018 80 A00

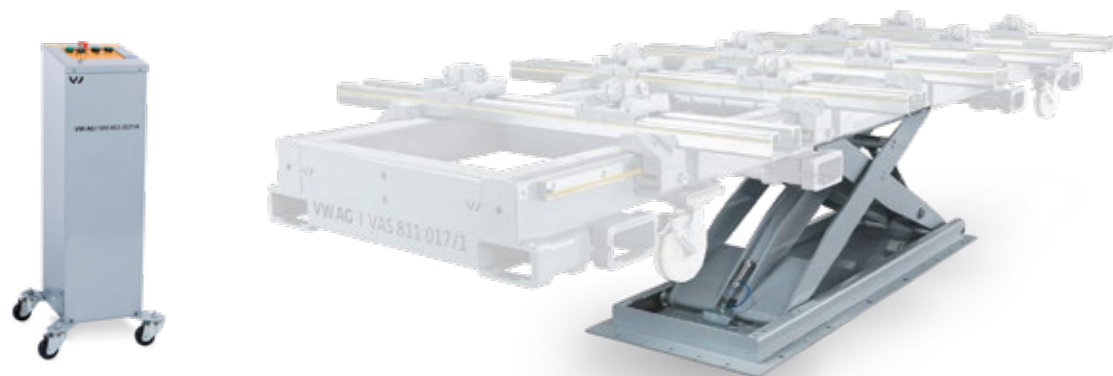
Alignment System VAS 811 017

Scissor lift with control box

VAS 811 017/4

ASE 811 018 80 D00

Dual-action scissor lifting device with a 5000kg loading capacity and 1.6 metre-lifting height.
Electrohydraulic control box, with power supply, place outside of the bench.



Positioning and ascending ramps (5m bench)

VAS 811 017/5

ASE 811 018 80 E00

Heavy-duty, removable ramps allowing for easy loading and unloading of the vehicle.



Pulling Column

VAS 811 017/6

ASE 811 018 80 F00

Quickly and automatically locked into the bench without the aid of hammers or spanners.
The Pulling Column has a 10 ton direct pulling capacity.



Universal Jig System

VAS 811 017/3

FIXTURING, PULLING AND MEASURING

The universal jig system supplied by Spanesi is capable of producing OEM style repairs for past, present and even future vehicles. The universal jig system is a sophisticated tool that allows the repair of all vehicle damage scenarios with the accessories provided. It is a toolset capable of fixturing, pulling and measuring at the same time.

EASY TO USE

Designed to provide upward thrusting, downward pulling, and individual movement of the crossbars, the universal jig system is unique to the global collision repair industry. Movable crossbars ensure quick and easy positioning of the attachment heads to vehicle fixturing locations.

NO OPTIONAL FIXTURES

The complete system. With the universal jig system, damaged VAS vehicles can be repaired at any time, without purchasing optional fixtures.

REPAIR

All types of vehicles: Past, Present, Future

FAST, ACCURATE AND EFFICIENT

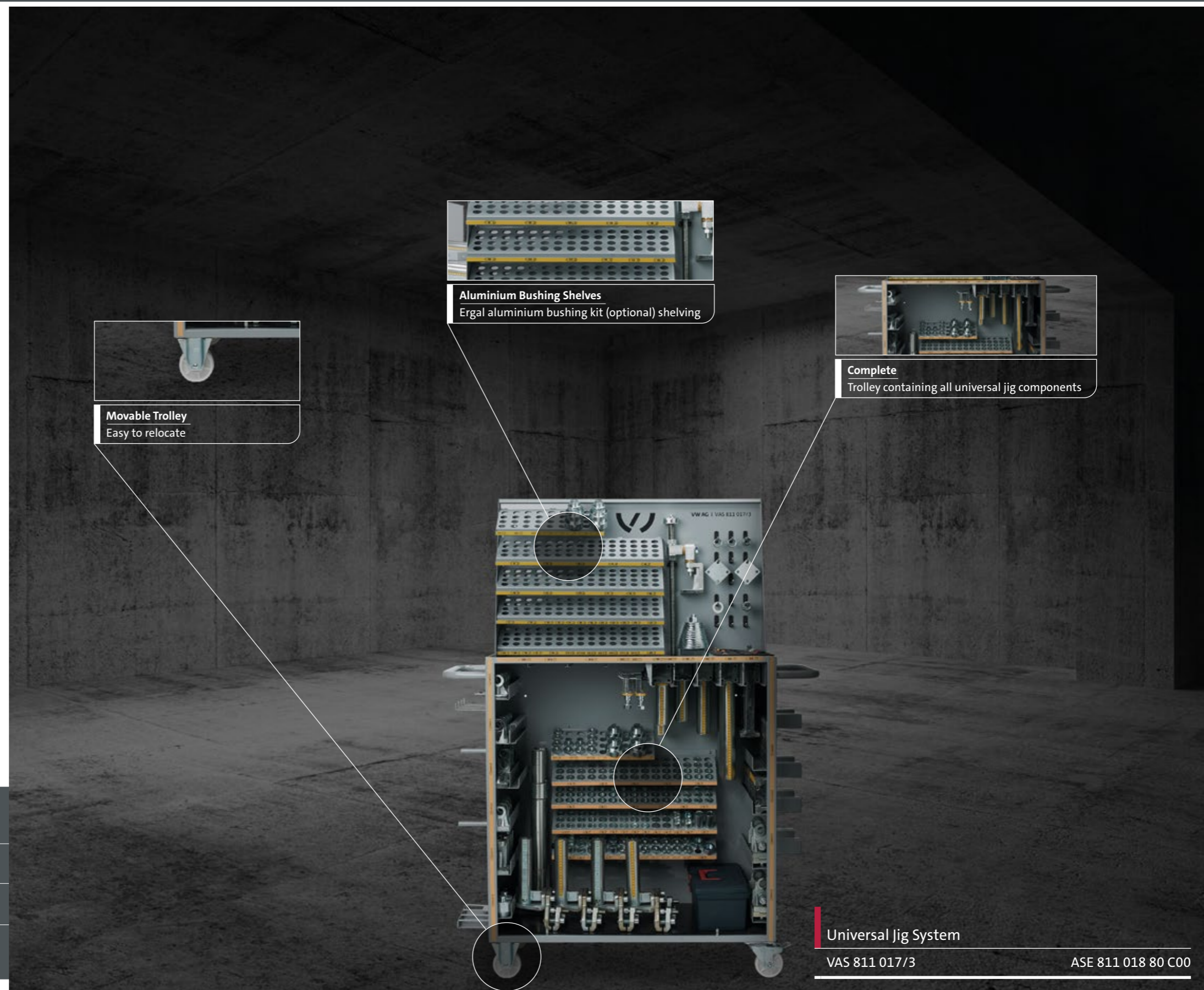
Mounting, Pulling and Measuring

3D REPAIR CONCEPT

Restore height, length and width values

GEAR DRIVEN FIXTURES

Move the vehicle structure up and down at every jig mounting point



Movable Trolley
Easy to relocate

Aluminium Bushing Shelves
Ergal aluminium bushing kit (optional) shelving

Complete
Trolley containing all universal jig components

Universal Jig System

VAS 811 017/3

ASE 811 018 80 C00

Universal Jig System

VAS 811 017/3

Loading Trolley

VAS 811 017/7 ASE 811 018 80 G00

Allows the vehicle to be perfectly centered on the bench.



Set of Special Hardened Bolts

VAS 811 017/8 ASE 811 018 80 H00

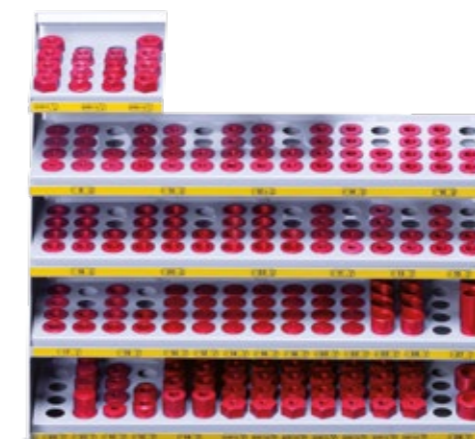
Hardened bolts are supplied for anchoring the vehicle during repair procedures.



Adaptors For Aluminum Body

VAS 811 017/9 ASE 811 018 80 I00

Ergal aluminium adaptors to prevent cross-contamination during repairs to aluminum vehicles.



Upperbody System

VAS 811 017/11 ASE 811 018 80 K00

With this innovative solution, the upper portion of the vehicle can also be anchored to external points and sections (e.g. hinges and doorposts).



Electronic Measuring System

VAS 811 019

SPEED AND FUNCTIONALITY

The Touch Electronic Measuring System VAS 811 019 facilitates the measuring and damage analysis within just a few minutes. By employing measuring probes of different lengths, the Touch is the only measuring system available that can reach the most complex measurement points of the vehicle body, including the external and mechanical parts.

PRECISION AND ACCURACY

During diagnostic procedures, the vehicle damage is analyzed and documented in order to create an accurate repair plan. Post vehicle repair measurements ensure the vehicle is returned to OEM repair standards.

LIVE REPAIR INFORMATION

The innovative “follow-me” kit guides the user, in real time, to align measured points correctly, thus making the structural straightening work accurate and efficient.

COMPLETE VEHICLE DATABASE

Vehicle datasheets are continuously added and updated to the published databases; therefore, the user has the latest vehicle information available.

LARGE AND COMMERCIAL VEHICLES

The VAS 811 019 measuring system facilitates the diagnosis and repair of trucks, vans and SUV's, as well as, commercial vehicles.

UNIVERSAL

Measure any vehicle on any bench, rack or lift

MEASURING IN MINUTES

Fast measuring setup

COMPLETE REPAIR DOCUMENTATION

Before and after repairs

INTUITIVE

User experience



Electronic Measuring System

VAS 811 019

ASE 811 019 90 000

Electronic Measuring System VAS 811 019

Touch Sliding bar

VAS 811 017/10

ASE 811 018 80 J00

Facilitates quick repositioning of the Touch arm on the straightening bench, in order to easily and efficiently measure the vehicle over its full length.



Universal Crossbar Adaptor

VAS 811 017/12

ASE 811 018 80 L00

Enables the Touch measuring arm to attach to universal jig crossbars.



Follow Me

The "follow-me" kit provides instantaneous details related to measurement point deformation and guides the user, in real-time, during damage repair operations.



Adjustable Probe

With its increased length and tilting tip, the Adjustable Probe makes it easier to reach all those access points that may be problematic, such as the bumper mounting points.



VAS 811 017 - VAS 811 017/3 - VAS 811 019

Technology, accuracy, reliability.



VAS 811 017 - VAS 811 017/3 - VAS 811 019



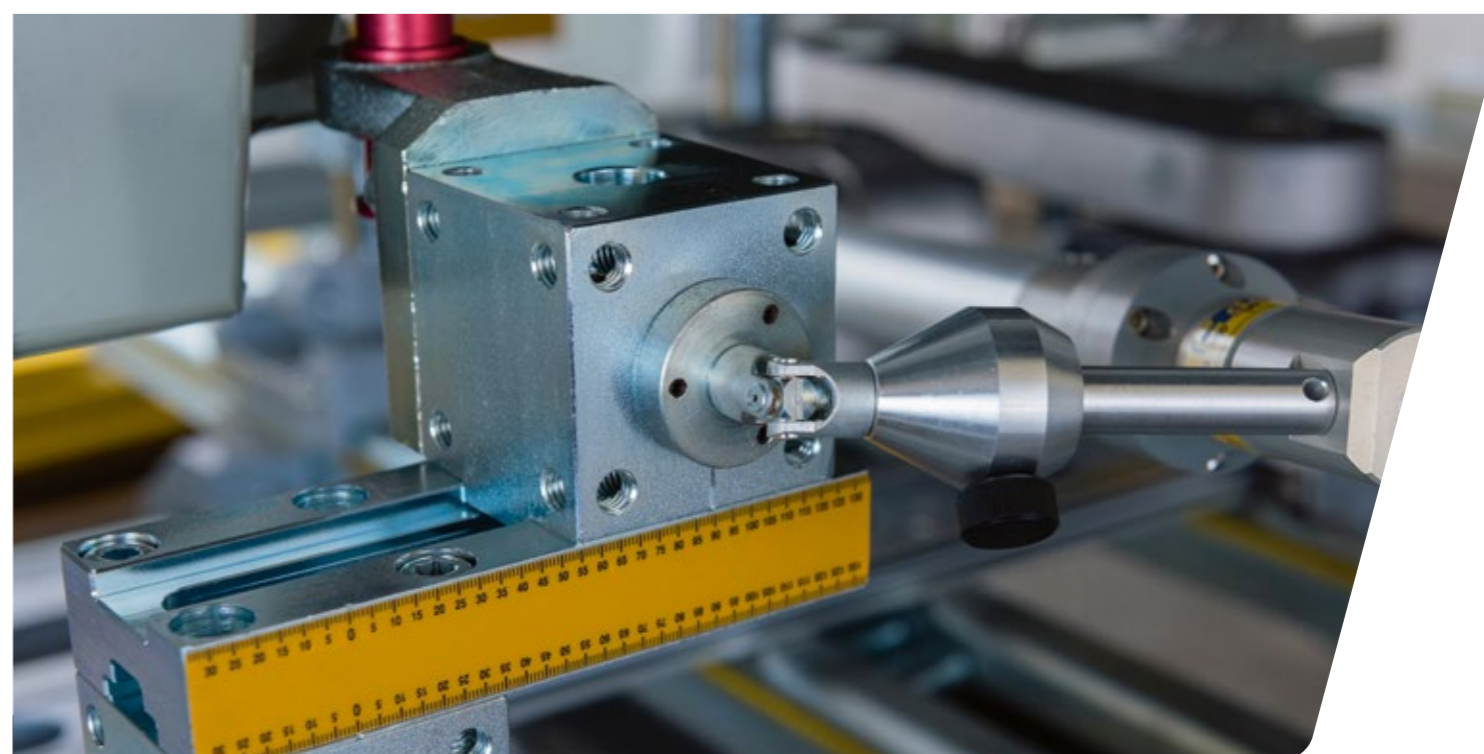
Superstructure system used to support the external parts and controlling doors.



Rack system for upward thrusting and downward pulling, directly from the jig.



Longitudinal sliding of the jig crossbar on straightening benches, to easily position the vehicle on the bench.



The combination of Touch electronic measurement system and universal jig allows the repair process to be extremely accurate and efficient.